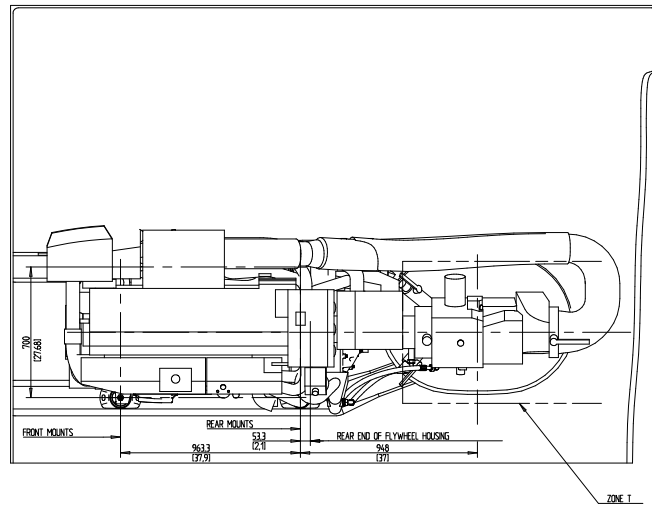


CARDIAN LENGTH	D	E	F
STD. 270x5mm	895±5	895±5	3287±5
700-800mm	1146-1246	1225-1325	3677-3777
1000-1200mm	1546-1646	1625-1725	4077-4177
1500-1600mm	1946-2046	2025-2125	4477-4577
1800-2000mm	2346-2446	2425-2525	4877-4977
2400-2500mm	2846-2946	2925-3025	5377-5477

M	B	C
5	739	674
6	747	699
7	756	644
8	765	628
9	774	611
10	784	594
11	794	577
12	804	559
13	814	543
14	825	527
15	836	501
16	847	481
17	859	459
18	871	436
19	883	415
20	896	392
21	909	369
22	923	344
23	937	319
24	951	293



PS UNIT

- (K) OIL DRAIN (2x)
- (J) CONNECTION RPM SENDER
- (H) CONNECTION ELECTRICAL CONTROL
- (G) CONNECTION BATTERY POS AND NEG.
- (F) CONNECTION OIL TEMP./PRESSURE
- (E) CONNECTION SHIFT SOLENOIDES
- (D) OIL DIPSTICK GEAR BOX
- (C) OIL FILLER GEAR BOX

FOR EASY INSTALLATION, USE ENGINE/PS BED INSTALLATION TOOL.

ENGINE

SEE DIMENSION DRAWING FOR ENGINE

SCALE 1:10